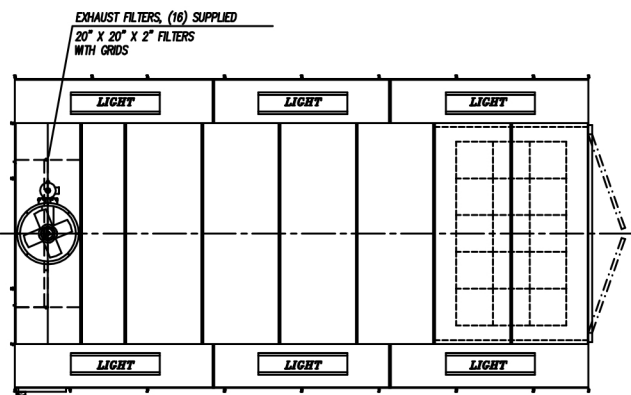
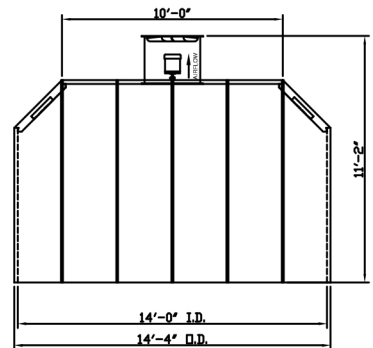


THE ASSEMBLY DRAWINGS YOU HAVE RECEIVED ARE IN A GENERIC FORMAT. OPTIONAL ACCESSORIES MAY NOT BE SHOWN AS PROVIDED. PLEASE REFER TO YOUR PURCHASE ORDER FOR A COMPLETE DESCRIPTION OF YOUR BOOTH ORDER.

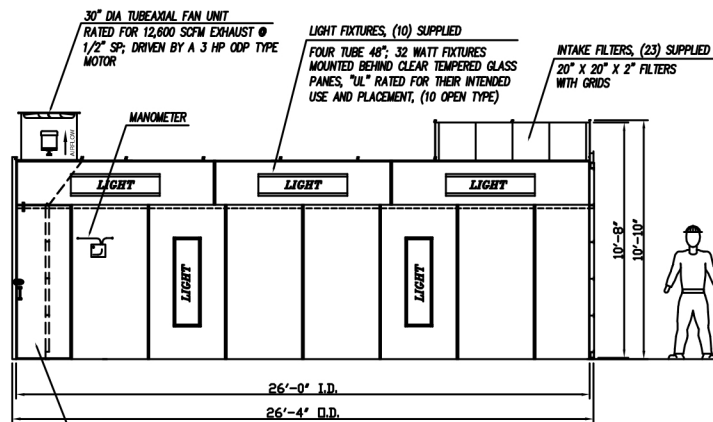
APPROVAL DRAWING
 MANUFACTURING WILL AWAIT APPROVAL
 END USER SIGNATURE: _____
 SUPPLY VOLTAGE: _____



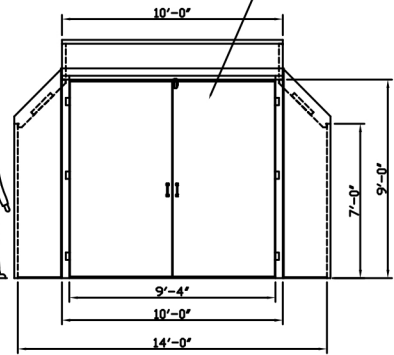
TOP VIEW



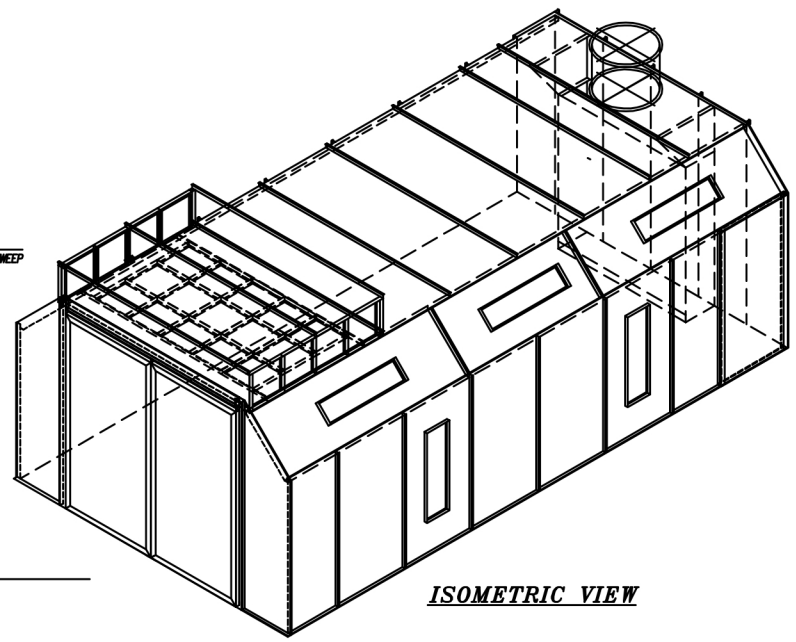
BACK VIEW



SIDE VIEW



FRONT VIEW



ISOMETRIC VIEW

EXHAUST FILTERS, (16) SUPPLIED
 20" X 20" X 2" FILTERS
 WITH GRIDS

30" DIA TUBEAXIAL FAN UNIT
 RATED FOR 12,600 SCFM EXHAUST @
 1/2" SP; DRIVEN BY A 3 HP ODP TYPE
 MOTOR

LIGHT FIXTURES, (10) SUPPLIED
 FOUR TUBE 48", 32 WATT FIXTURES
 MOUNTED BEHIND CLEAR TEMPERED GLASS
 PANE, "UL" RATED FOR THEIR INTENDED
 USE AND PLACEMENT, (10 OPEN TYPE)

INTAKE FILTERS, (23) SUPPLIED
 20" X 20" X 2" FILTERS
 WITH GRIDS

SOLID PRODUCT ENTRY DOORS
 EQUIPPED WITH 1 PANIC LATCH, SWEEP
 SEAL AND HARDWARE.

PERSONNEL ACCESS DOOR
 30" X 84" WITH LATCH AND
 HANDLE

MECHANICAL NOTES:
 ALL PANELS ARE 18 GA. GALVANIZED STEEL
 WITH PRE-PUNCHED HOLES 6" ON CENTER.
 BOOTH MOUNTS TO 18 GA. FLOOR RAIL
 IS BOLTED TO BOOTH AND ANCHORED TO FLOOR
 BOOTH MANUFACTURED PER THE FOLLOWING CODES:
 NFPA 33, UFC 45 AND NEC 516
 ALL DOORS ARE EQUIPPED WITH PRESSURE
 ACTIVATED SAFETY LATCHES

ELECTRICAL NOTES:
 LIGHTS ARE 120 VOLT FLUORESCENT 4 TUBES
 FIXTURES ARE FULLY COVERED AND GASKETED.
 LIGHTS ARE MOUNTED ON TEMPERED SAFETY GLASS
 (LIGHT BULBS ARE NOT INCLUDED)

AIR FLOW NOTES
 1-30" DIA. TUBEAXIAL EXHAUST FAN WITH 3HP 3Ph
 O.D.P. MOTOR (12,600 CFM AT 1/2" S.P.)
 16 - 20" X 20" EXHAUST FILTER CELLS WITH WIRE
 RETAINER GRIDS, FILTERS ARE 2" THICK PAINT ARRESTORS
 20 - 20" X 20" TACKY INTAKE FILTERS WITH INTERNAL
 WIRE FRAME, FILTERS ARE MOUNTED IN ENTRY DOORS
 1 EA. MANOMETER DRAFT GAGE SUPPLIED WITH SPRAY BOOTH

Semi Down Flow Spray Booth - USA		MODEL 8550	
26' Deep x 14' Wide x 9'High		File	Date: 7-9-03
Job Name:		301-1409-26-01-02	