



**Blackhawk
Automotive**TM

Blackhawk Automotive is a Licensed Trade Mark

Made by SFA Companies, Kansas City, MO

Wheel Dolly

Operating Instructions & Parts Manual

Model
BH8075

Capacity
1500 lb




This is the safety alert symbol. It is used to alert you to potential personal injury hazards. Obey all safety messages that follow this symbol to avoid possible injury or death.

ADVERTENCIA

- Leer, comprender, y seguir las instrucciones antes de utilizar el aparato.
- El manual de instrucciones y la información de seguridad deben estar comunicado en lengua del operador antes del uso.
- No seguir estas indicaciones puede causar daños personales o materiales.

 **WARNING:** Cancer and Reproductive Harm.

 **AVERTISSEMENT:** Cancer et dommages au système reproducteur.

 **ADVERTENCIA:** Cáncer y daño reproductivo.

www.P65Warnings.ca.gov

SFA Companies
10939 N. Pomona Ave. Kansas City, MO 64153
sales@blackhawk-automotive.com

Read this manual and follow all the Safety Rules and Operating Instructions before using this product.

Made in PRC
BH8075-M0 rev 12/07

SAFETY and GENERAL INFORMATION

Save these instructions. For your safety, read, understand, and follow the information provided with and on this wheel dolly before using. The owner and/or operator of this equipment shall have an understanding of this equipment and safe operating procedures before attempting to use. The owner and/or operator shall be aware that use and repair of this product may require special skills and knowledge. Instructions and safety information shall be conveyed in the operator's native language before use of this product is authorized. If any doubt exists as to the safe and proper use of this wheel dolly, remove from service immediately.

Inspect before each use. Do not use if broken, bent, cracked, or damaged parts (including labels) are noted. Any wheel dolly that appears damaged in any way, operates abnormally or is missing parts, shall be removed from service immediately and the manufacturer notified. If you suspect that the product was subjected to a shock load (a load dropped suddenly, unexpectedly upon it), immediately discontinue use until it has been checked by a factory authorized service center (contact distributor or manufacturer for list of Authorized Service Centers). It is recommended that an annual inspection be done by qualified personnel. Labels and owner's manuals are available from manufacturer.

PRODUCT DESCRIPTION

Hydraulic wheel dolly is designed to facilitate the removal and installation of pneumatic tires and wheel assemblies found on many trucks, buses and trailers. This is **NOT** suitable for use as a wheel and tire puller. It is designed **ONLY** for use in removing up to rated capacity tire and wheel assemblies which are **not** bound and/or seized up at the brake drum or hub assemblies. This device is designed to be used in conjunction with jacks and jack stands

⚠ NEVER load this device with more than the weight of the wheel assembly to be removed! ENSURE that the vehicle is securely positioned and supported by mechanical means such as a pair of appropriately rated jack stands or cribbing and blocking.

⚠ NEVER use a wheel dolly as a wheel pulling device. Before transporting wheel assembly ensure that it is free from the hub or drum assembly and that it is secured to the wheel dolly using the provided securing means. NEVER load this device with more than the weight of the wheel assembly to be removed!

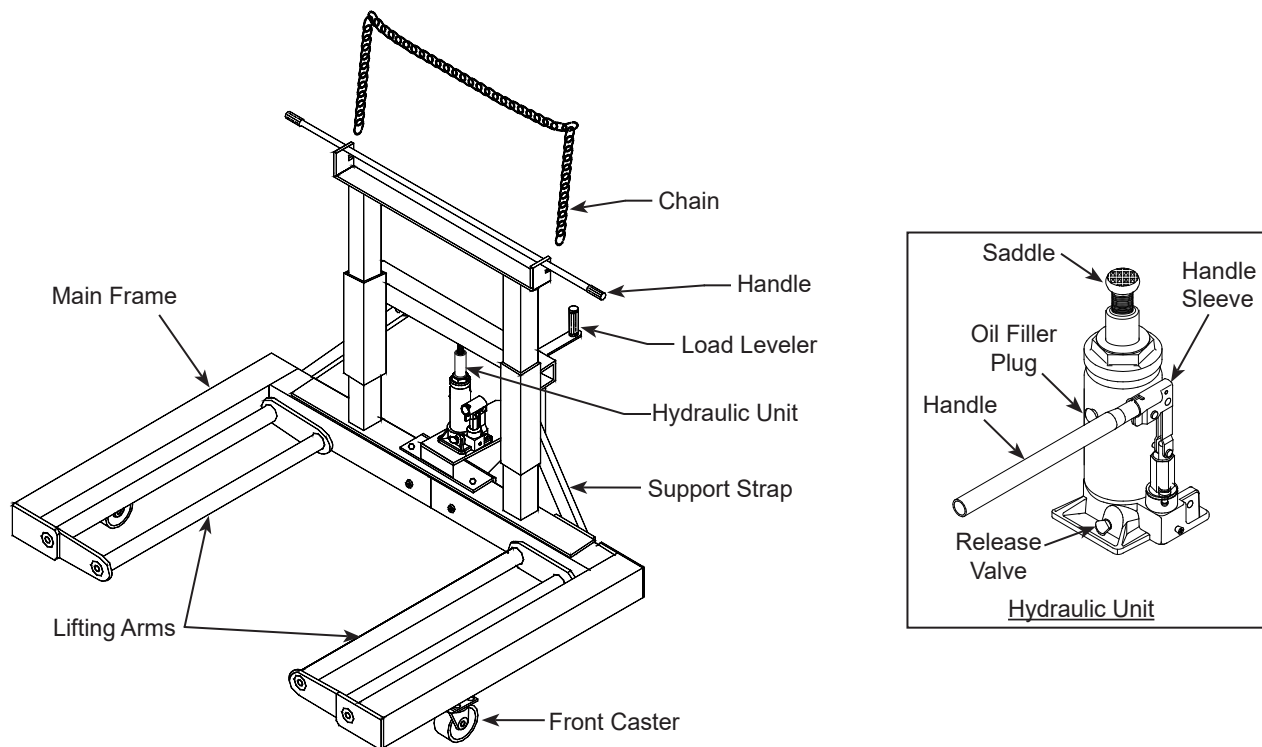


Figure 1 - Wheel Dolly Components

PREPARATION

Assembly (refer to Fig. 1 & 2)

1. Attach 3 1/2" caster (1) to left and right main frame (2 & 3) with bolts & washers (4).
2. Attach 5" caster (5) to rear support (6), with bolts, washers & nuts (7).
3. Insert left main frame (2) into right main frame (3).
4. Attach upright (8) and rear support (6) into the main frame assembly (2 & 3) with two bolts & nuts (9) and four bolts, washers & nuts (10).
5. Attach support straps (11) to the mounting ears of upright and main frame with bolts, washers and nuts (12).
6. Attach hydraulic unit (13) onto the upright assembly (8).
7. Insert load leveler handle (14) to rear support (6) with pin and cotter pin (15 & 16).
8. Attach the chain (17) onto upright assembly.

Size of Hardware Kits			Qty
3	bolt	M8x16	8
	lock washer	M8	8
7	bolt	M8x16	4
	lock washer	M8	4
	nut	M8	4
9	bolt	M12x100	2
	nut	M12	2
10	bolt	M14x110	4
	washer	M14	4
	nut	M14	4
12	bolt	M8x34	4
	lock washer	M8	4
	nut	M8	4

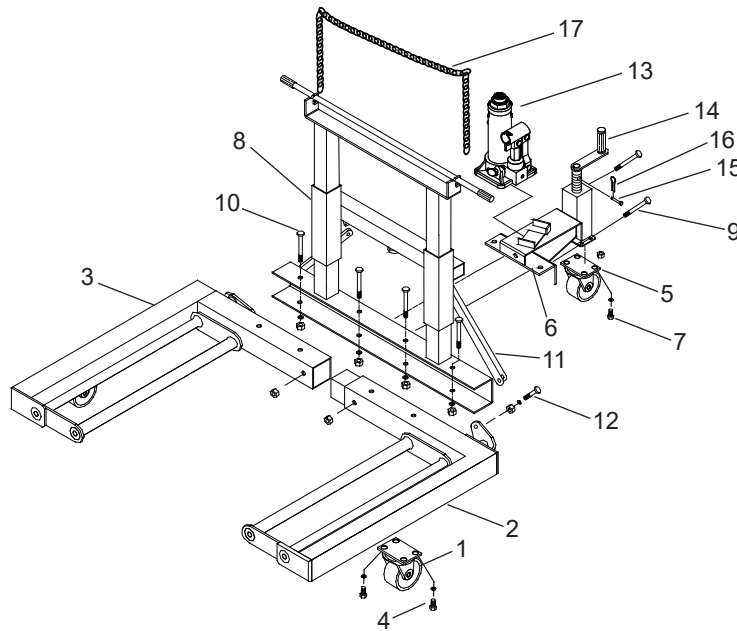


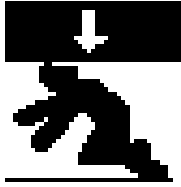
Figure 2 - Assembly Illustration for Model BH8075

BEFORE USE

1. Verify that the product and the application are compatible, if in doubt call Blackhawk tech. service (816) 891-6390.
2. Before using this product, read the operator's manual completely and familiarize yourself thoroughly with the product, its components and recognize the potential hazards associated with its use.
3. To familiarize yourself with basic operation; position the hydraulic unit upright as shown in Fig. 1, engage the release valve with the slotted portion of the provided handle, then turn the release valve:
 - a. Clockwise until firm resistance is felt to further turning. This is the '**CLOSED**' release valve position used to **raise** the load.
 - b. Counter-clockwise, but no more than 1 turn from the closed position. This is the '**OPEN**' release valve position used to **lower** the load.
4. With saddle fully lowered, remove the oil filler plug. Insert the handle into the handle sleeve; then pump 6 to 8 full strokes. This will help release any pressurized air which may be trapped within the reservoir. Check oil level. Proper oil level is level with the oil filler plug hole. Adjust as needed, reinstall the oil filler plug.
5. Place the hydraulic unit to the wheel dolly as shown in Fig. 1. Position the hydraulic unit such that the saddle mates with the provided indentation.
6. Check to ensure that wheel dolly rolls freely, that the pump and release valve operate smoothly. Raise and lower the unloaded wheel dolly throughout the lifting range before putting into service. Replace worn or damaged parts and assemblies with Factory Authorized Replacement Parts only.



WARNING



To avoid crushing and related injuries and or property damage:

- **Read, understand and follow** all printed materials provided with and on this wheel dolly
- Do Not exceed rated capacity.
- **Before** positioning wheel dolly, **ensure** that the vehicle is securely positioned and supported by mechanical means such as a pair of appropriately rated jack stands or cribbing and blocking.
- Use only on smooth, hard and level surfaces capable of sustaining the load.
- **Chock** each unlifted wheel assembly in both directions.
- **Be alert** and **sober** when using this product! **Never** operate this equipment when under the influence of drugs or alcohol.
- Before moving, lower the load to the lowest possible point and assure that the load is centered and secured with a load restraint device.
- Only attachments and/or adapters supplied by the manufacturer shall be used.
- No alterations shall be made to this product.
- Never use hydraulic unit (jack) as a stand alone device.
- Apply load as close to the vertical position of the lifting member as possible.

SPECIFICATIONS

Model	Rated Capacity	Lifting Range	Hydraulic Lift	Dimension (L x W x H)	Lifting Arm Dimension	Tilt Range
BH8075	1500 lb.	2 1/4" ~ 11"	5"	43 1/2" x 43" x 34 7/8"	25 7/8" x 25 1/4"	-2.5° ~ 10°

OPERATION

Vehicle Preparation

1. Locate vehicle on a hard, level surface, such as reinforced concrete, large enough to accommodate vehicle, jacks, jack stands, and wheel dolly.
2. Set the emergency brake unless the rear drum, tire and wheel are all to be removed as an assembly.
3. Chock all unlifted tires in both directions AND take every precaution necessary to ensure the set up is stable and will prevent all inadvertent vehicle movement.

Raising The Lifting Arms

1. Close release valve by turning it with slotted portion of handle clockwise until firm resistance is felt to further thread engagement.



*Follow the vehicle manufacturers recommended removal and installation procedures for tire, wheel, hub, or axle assemblies as needed! **DO NOT** remove more than is recommended by the vehicle manufacturer!*

2. After the tire, wheel assembly has been loosened from the hub or axle and is ready to be removed, position the dolly under the assembly to be removed. Pump until load reaches desired height. Adjust lift arm tilt such that the tire, wheel assembly will nest securely between the lift arms without falling forward (toward the front wheels).

Loading the Wheel Dolly



***NEVER** load this device with more than the weight of the wheel assembly to be removed!*

***ENSURE** that the vehicle is securely positioned and supported by **mechanical means** such as a **pair of appropriately rated jack stands or cribbing and blocking**.*



***NEVER** use a wheel dolly as a **wheel pulling** device. Before transporting wheel assembly. Ensure that it is free from the hub or drum assembly and that it is secured to the wheel dolly using the provided restraint device.*

When the weight of the loosened tire, wheel assembly is supported by the wheel dolly, Carefully roll the wheel dolly away from the drum or axle. When the assembly is clear, immediately secure the tire/wheel assembly with the provided chains.

Lowering

1. Engage and slowly turn the release valve counterclockwise, but never more than 1 full turn.

Transporting Loaded Wheel Dolly

1. Ensure that wheel assembly is secured to the wheel dolly by means of the provided chains.
2. When wheel assembly has cleared the hub or the axle, lower the lift arms to the lowest position that will still allow wheel dolly wheel and caster movement.
3. Push or pull to desired location.



Follow the vehicle manufacturers recommended removal and installation procedures for tire, wheel, hub, or axle assemblies as needed!



If the operating handle is worn, operates abnormally, or will not positively engage the release valve, immediately discontinue use of the jack until a replacement handle assembly can be acquired.

MAINTENANCE

Important: Use only a good grade hydraulic jack oil. We recommend Mobil DTE 13M or equivalent. Avoid mixing different types of fluid and Never use brake fluid, turbine oil, transmission fluid, motor oil or glycerin. Improper fluid can cause failure of the jack and the potential for sudden and immediate loss of load.

Adding Oil to Hydraulic Unit

1. With saddle fully lowered set jack in its upright, level position. Locate and remove oil filler plug.
2. Fill with oil even with the bottom of oil filler plug hole. Reinstall the oil filler plug.

Changing Oil to Hydraulic Unit

For best performance and longest life, replace the complete fluid supply at least once per year.

1. Remove hydraulic unit from wheel dolly. Set hydraulic unit upright on a hard, level surface.
2. With saddle fully lowered, remove the oil filler plug.
3. Lay the jack on its side and drain the fluid into a suitable container.

Note: Dispose of hydraulic fluid in accordance with local regulations.

4. Fill with oil even with the bottom of oil filler plug hole. Reinstall the oil filler plug.
5. Install hydraulic unit back to the wheel dolly.

Lubrication

A periodic coating of light lubricating oil to wheel dolly and hydraulic unit pivot points will help to ensure that all moving parts function smoothly.

Note: Never apply oil to the saddle.

Cleaning

Periodically check the hydraulic unit pump piston and ram for signs of rust or corrosion. Clean as needed and wipe with an oily cloth.

Note: Never use sandpaper or abrasive material on these surfaces.

Storage

Store the hydraulic unit with the pump piston, ram plunger, and saddle fully lowered and the release valve open, but never more than 1 turn. This will help prevent rust and corrosion to those critical surfaces.

TROUBLESHOOTING

Symptom	Possible Causes	Corrective Action
Hydraulic unit will not lift load	<ul style="list-style-type: none"> • Release valve not tightly closed 	<ul style="list-style-type: none"> • Ensure release valve tightly closed
Hydraulic unit will lift, but not maintain pressure	<ul style="list-style-type: none"> • Release valve not tightly closed • Hydraulic unit malfunction 	<ul style="list-style-type: none"> • Ensure release valve tightly closed • Contact Blackhawk Tech. Service
Hydraulic unit will not lower after unloading	<ul style="list-style-type: none"> • Reservoir overfilled • Linkage binding 	<ul style="list-style-type: none"> • Ensure load is removed, then drain fluid to proper level • Clean and lubricate moving parts
Poor lift performance	<ul style="list-style-type: none"> • Fluid level low • Air trapped in system 	<ul style="list-style-type: none"> • Ensure proper fluid level • With ram fully retracted, remove oil filler plug to let pressurized air escape, then reinstall oil filler plug
Hydraulic unit will not lift to full extension	<ul style="list-style-type: none"> • Fluid level low 	<ul style="list-style-type: none"> • Ensure proper fluid level

REPLACEMENT PARTS

Not all components of the wheel dolly are replacement items, but are illustrated as a convenient reference of location and position in the assembly sequence. When ordering parts, please give the Model number and parts description. Call or write for current pricing: SFA Companies 10939 N. Pomona Ave. Kansas City, MO 64153, U.S.A. E-Mail: sales@blackhawk-automotive.com Tel: (816) 891-6390 Fax: (816) 891-6599

Model: BH8075

Item	Part No.	Description	Qty
1	T474-04000-000	Front Caster, 31/2"	2
2	*	Spring Washer	16
3	*	Bolt, M8x16	12
4	T590-03000-000	L. Main Frame	1
5	*	Hex Nut M8	8
6	T590-00001-000	Lifting Strap	4
7	*	Bolt M8x34	4
8	T590-08000-000	Rear Caster 5"	1
9	T590-04000-000	Rear Support Lifter	1
10	*	Bolt M12x100	2
11	*(5602-00035-000)	Bearing	1
12	T590-05000-000	Rear Support Frame	1
13	*(5403-06035-000)	Pin Ø6x35	1
14	T590-02000-000	Load Leveler Assy.	1

Item	Part No.	Description	Qty
15	*(5405-02018-000)	Snap pin	1
16	T590-06000-000	R. Main Frame	1
17	G933-00001-000	Handle Grip	2
18	T590-01000-000	Post Assy	1
19	T590-07000-000	Chain	1
20	*	Bolt M14x110	4
21	*	Spring Washer	4
22	*	Hex Nut M14	4
23	B0430S-00	Hydraulic Unit, 4T	1
24	*	Hex Nut M12	2
25	F361-30030-0000	Oil Filler Plug	1
26	B043-20000-000	Pump Handle	1
(*)	T590-09000-000	Hardware Kit	-

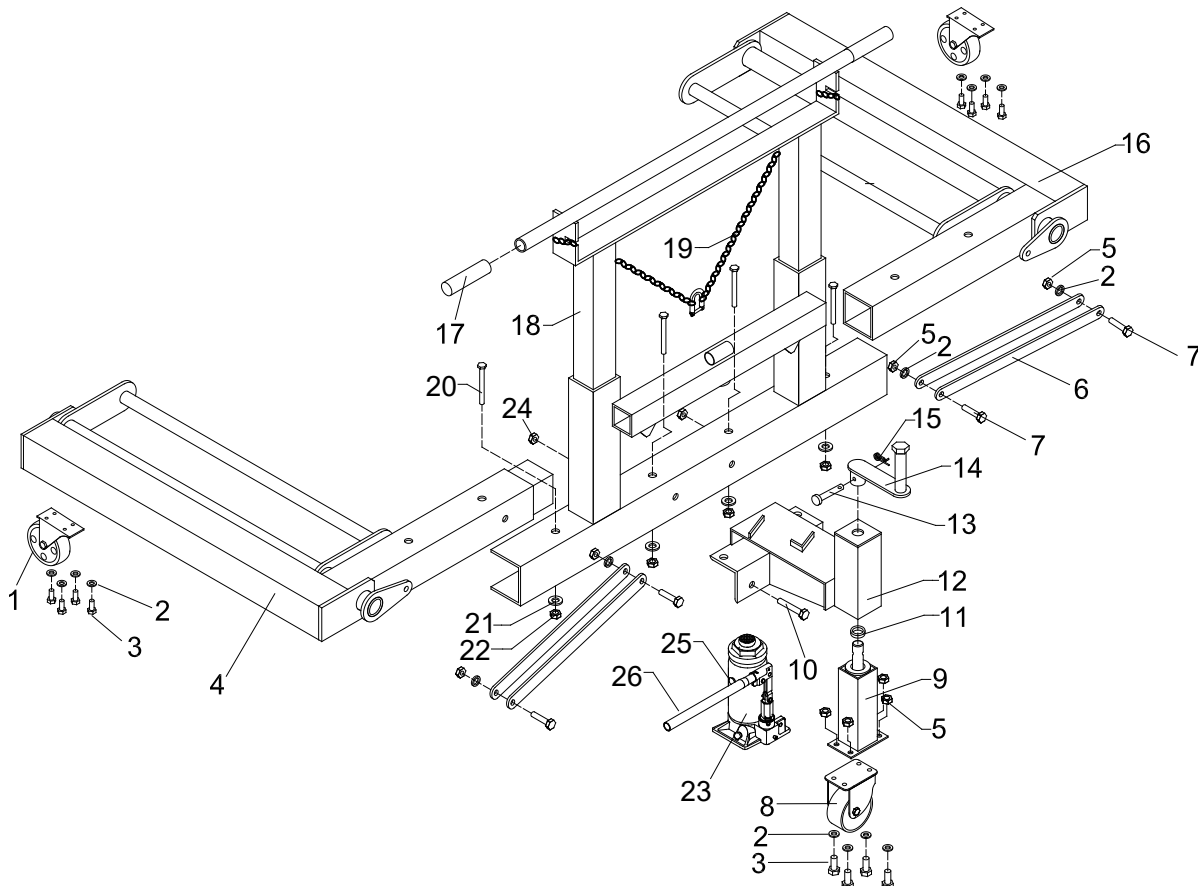


Figure 3 - Replacement Parts Illustration for Model BH8075

ONE YEAR LIMITED WARRANTY

For a period of one (1) year from date of purchase, SFA Companies will repair or replace, at its option, without charge, any of its products which fails due to a defect in material or workmanship under normal usage. This limited warranty is a consumer's exclusive remedy.

Performance of any obligation under this warranty may be obtained by returning the warranted product, freight prepaid, to SFA Companies Warranty Service Department, 10939 N. Pomona Ave., Kansas City, MO 64153.

Except where such limitations and exclusions are specifically prohibited by applicable law,

(1) THE CONSUMER'S SOLE AND EXCLUSIVE REMEDY SHALL BE THE REPAIR OR REPLACEMENT OF DEFECTIVE PRODUCTS AS DESCRIBED ABOVE.

(2) SFA Companies SHALL NOT BE LIABLE FOR ANY CONSEQUENTIAL OR INCIDENTAL DAMAGE OR LOSS WHATSOEVER.

(3) ANY IMPLIED WARRANTIES, INCLUDING WITHOUT LIMITATION THE IMPLIED WARRANTIES OF MERCHANTABILITY AND FITNESS FOR A PARTICULAR PURPOSE, SHALL BE LIMITED TO ONE YEAR, OTHERWISE THE REPAIR, REPLACEMENT OR REFUND AS PROVIDED UNDER THIS EXPRESS LIMITED WARRANTY IS THE EXCLUSIVE REMEDY OF THE CONSUMER, AND IS PROVIDED IN LIEU OF ALL OTHER WARRANTIES, EXPRESS OR IMPLIED.

(4) ANY MODIFICATION, ALTERATION, ABUSE, UNAUTHORIZED SERVICE OR ORNAMENTAL DESIGN VOIDS THIS WARRANTY AND IS NOT COVERED BY THIS WARRANTY.

Some states do not allow limitations on how long an implied warranty lasts, so the above limitation may not apply to you. Some states do not allow the exclusion or limitation of incidental or consequential damages, so the above limitation or exclusion may not apply to you. This warranty gives you specific legal rights, and you may also have other rights, which vary from state to state.



SFA Companies
10939 N. Pomona Ave. Kansas City, MO 64153
816-891-6390
sales@blackhawk-automotive.com