



ATD-3695 INSTRUCTIONS FOR DELUXE DUAL ALUMINUM A/C MANIFOLD GAUGE SET

The 1990 amendments to the United States Clean Air Act mandate that all personnel who service refrigerant systems must be trained and certified. Fines are in place for violations and compliance is now being monitored by the U.S. EPA.

PRE-SERVICE INSTRUCTIONS

1. Close both valves on the manifold gauge set by turning the High and Low knobs clockwise.
2. The gauges are correctly calibrated at the factory before shipment. If calibration is required, remove the lens and insert a straight blade screwdriver into the adjusting screw on the gauge face.
3. Connect the (Red) hose to the High port and the (Blue) hose to the Low port on the manifold gauge.

TESTING AND CHARGING

To properly diagnose the problem in the A/C system, first check the system's overall performance. This includes monitoring the system's pressure as well as leak testing. Your manifold gauge set will give accurate readings of your system's pressure.

NOTE: Be sure that the hand valves on the manifold gauge set are in the closed position. Always wear gloves and safety goggles when working with refrigerant.

1. Remove the protective caps from the system ports. Check for leaks at the ports.
2. Connect the Low side service hose (Blue) to the suction side of the compressor.
Connect the High side service hose (Red) to the discharge side of the compressor.
For R134a systems: Connect corresponding couplers to the red and blue hoses.
3. If using adapters, make sure that they are fully tightened and piercing the access valve.
Failure to properly access the valve core will prohibit refrigerant flow.

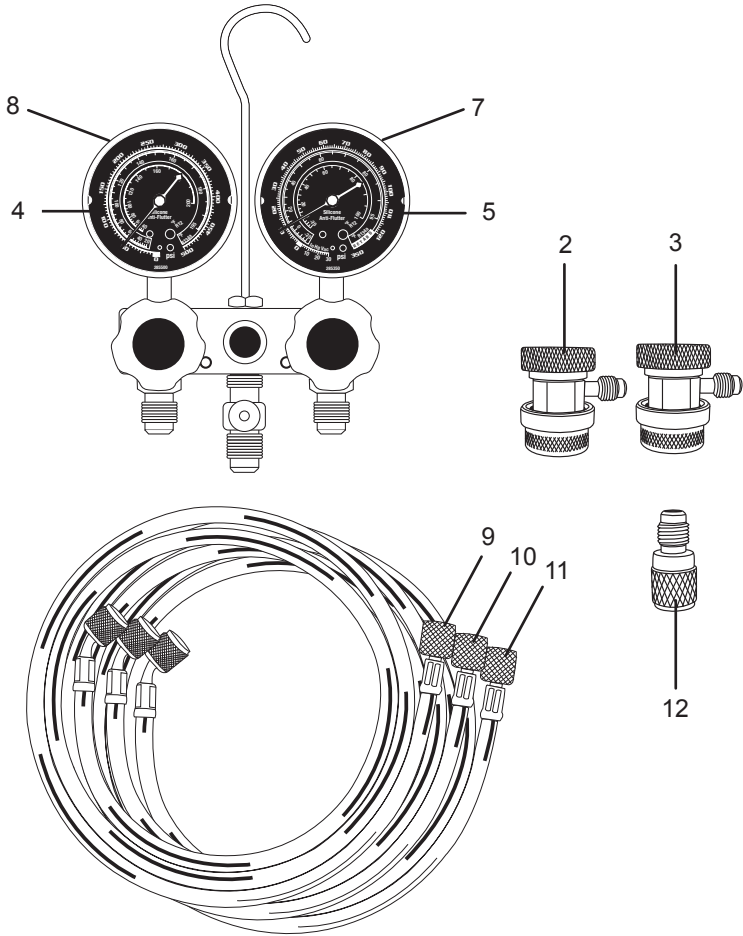
IMPORTANT NOTES:

- A system that has been opened or one that is found to be excessively low on refrigerant pressure as a result of a leak, must be fully evacuated by means of recycling and deep vacuum.
- A system that has been evacuated must be repaired, leak tested and evacuated again to 29" Hg. before charging.
- If charging on the liquid or High side, use only the High side valve on the manifold set. Make sure the Low side valve is closed.
- After charging, test the system by turning on the engine and running the A/C with both valves closed on the manifold.
- After testing, disconnect the hoses from the system and make sure to use a recovery/recycling machine to evacuate any refrigerant remaining in the hoses or manifold.



**WARNING
WEAR GOGGLES!!
DO NOT VENT REFRIGERANT INTO THE ATMOSPHERE!!!**

ATD-3695 PARTS BREAKDOWN



REF. #	DESCRIPTION	PART #
1.	R134a ALUMINUM MANIFOLD WITH 1/4" CONNECTION (COMPLETE)	285103-G-1/4
2.	HIGH SIDE COUPLER	282834-E
3.	LOW SIDE COUPLER	282934-E
4.	2 1/2" REPLACEMENT GAUGE LOW SIDE	285350-001
5.	2 1/2" REPLACEMENT GAUGE HIGH SIDE	285500-001
6.	2 1/2" REPLACEMENT LENS	285253-E
7.	GAUGE GUARD RED	285500-E
8.	GAUGE GUARD BLUE	285350-E
9.	60" R12 BLUE HOSE	241601
10.	60" R12 RED HOSE	241603
11.	60" R12 YELLOW HOSE WITH SHUT-OFF	245602
12.	1/2" ACME-F X 1/4" MFL ADAPTER	82635
13.	BLUE KNOB	285211
14.	RED KNOB	285212